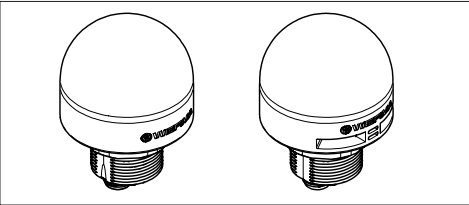
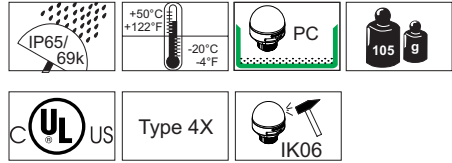


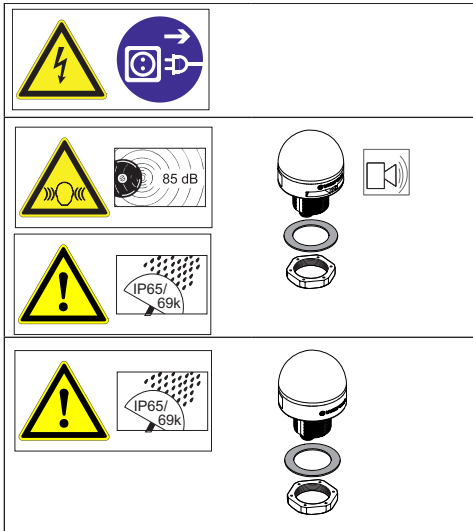
**MC55-UL**



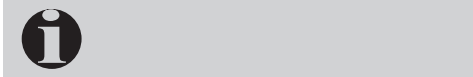
- DE Anschluss **ausschließlich** durch ausgebildete Elektro-Fachkräfte.
- GB Electrical connection is to be made by trained electrical specialists **only**.
- FR Le branchement doit **uniquement** être effectué par des professionnels.
- IT Il collegamento deve essere eseguito **solo** da elettricisti specializzati.
- ES La conexión **sólo** debe ser realizada por electricistas debidamente formados.
- PT A ligação deve ser feita **exclusivamente** por profissional elétrico especializado.
- NL De aansluiting mag **enkel** gebeuren door erkende vakmensen.
- CZ Připojení smí **provádět** pouze kvalifikovaný personál.
- PL Podłączenie **wyłącznie** przez specjalistów-elektryków.
- FI Liittäminen kuuluu **ainoastaan** koulutettujen sähköalan ammattilaisten tehtäviin.
- RU Подключение проводится только специалистом-электриком.
- TR Bağlantı **sadece** eğitimli elektrik teknisyenleri tarafından yapılmalıdır.
- CN 布线需由专业电工执行。



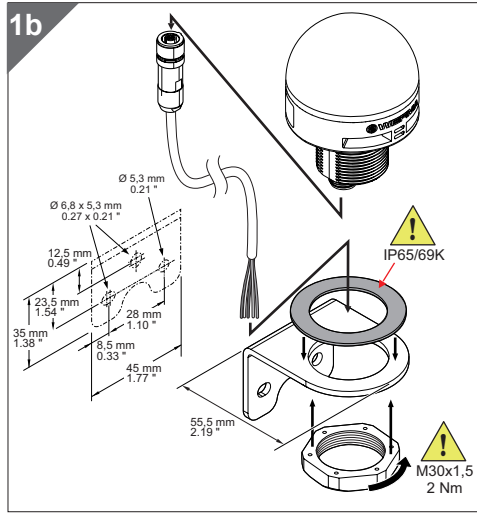
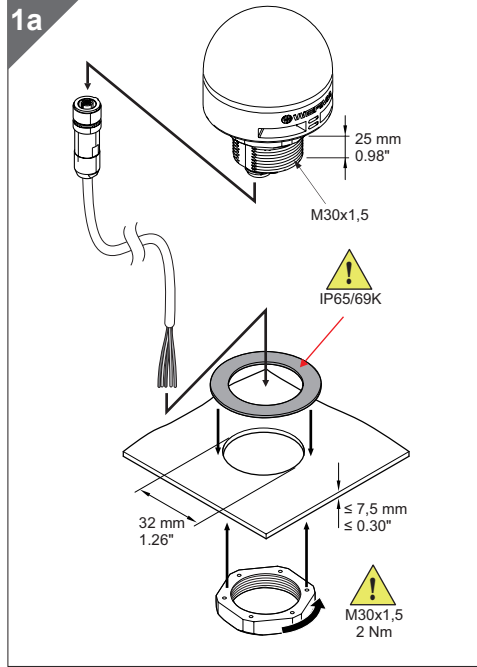
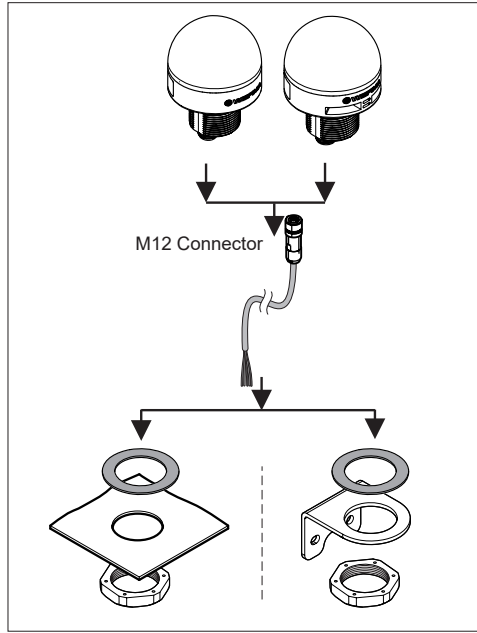
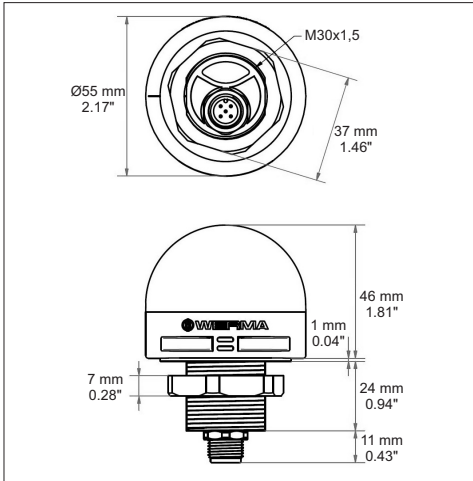
WERMA Signaltechnik GmbH + Co. KG  
D-78604 Rietheim-Weilheim  
Telefon +49 (0)7424 / 9557-0  
Telefax +49 (0)7424 / 9557-44  
info@werma.com  
www.werma.com



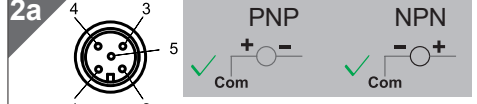
**UL** US The power-source has to be an isolated secondary source limited by maximum 0.5 A and maximum 32 VDC



LED RGB Permanent	240 320 50	10-30 VDC	I ≤ 100 mA I <sub>0</sub> < 1000 mA
	240 340 50	10-30 VDC	I ≤ 105 mA I <sub>0</sub> < 1000 mA
LED RGY Permanent	240 420 55	24 VDC	I ≤ 45 mA I <sub>0</sub> < 700 mA
	240 440 55	24 VDC	I ≤ 60 mA I <sub>0</sub> < 700 mA

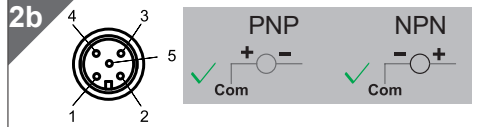


**2** 2a: 240 320 50, 240 340 50  
2b: 240 420 55, 240 440 55  
M12 Connector



		Pin			Colour
1	2	3 Com	4	5*	
NC	NC	(±)	(±)V	(±)V *	RD
(±)V	NC		NC		GN
(±)V	NC		(±)V		YE
NC	(±)V		NC		BU
(±)V	(±)V		(±)V		WH
NC	(±)V	NC	(±)V	VT	VT
(±)V	(±)V		NC		TQ

\* 240 340 50  
NC = not connected



		Pin			Colour
1	2	3 Com	4	5*	
NC	NC	(±)	(±)V	(±)V *	RD
(±)V	NC		NC		GN
NC	(±)V		NC		YE

\* 240 440 55  
NC = not connected

## Marking of Hazardous Substances

### 有害物质标识

WERMA Signaltechnik GmbH + Co. KG  
Dürbheimer Straße 15  
78604 Rietheim-Weilheim / Germany

WERMA article number 伟马快德物料号:

240 110 50, 240 120 50, 240 210 55, 240 220 55, 240 320 50, 240 420 55, 240 650 55

According to the SJ/T 11364-2014 Standard of the People's Republic of China for the Electronic Industry

本表格依据中华人民共和国 SJ/T 11364-2014 的规定编制

Component Name 部件名称	Hazardous Substances 有害物质					
	Lead 铅 (Pb)	Mercury 汞 (Hg)	Cadmium 镉 (Cd)	Hexavalent Chromium 六价铬 (Cr (VI))	Polybrominated biphenyls 多溴联苯 (PBB)	Polybrominated diphenyl ethers 多溴二苯醚 (PBDE)
Plastic parts 塑料件	○	○	○	○	○	○
Label 标签	○	○	○	○	○	○
PCB and its electronics components 印制电路板及其电子元器件	X*	○	○	○	○	○
M12 plug and cable M12 插头和电缆	○	○	○	○	○	○
Cable tie 扎带	○	○	○	○	○	○

This table was developed according to the provisions of SJ/T 11364-2014  
本表格依据 SJ / T 11364-2014 的规定编制

O: The content of such hazardous substance in all homogeneous materials of such component is **below** the limit required by GB/T 26572-2011.  
表示该有害物质在该部件所有均质材料中的含量均在 GB/T 26572-2011 规定的限量要求以下。

X: The content of such hazardous substance in all homogeneous materials of such component is **beyond** the limit required by GB/T 26572-2011.  
表示该有害物质至少在该部件的某一均质材料中的含量超出 GB/T 26572-2011 规定的限量要求。

Enterprises may further explain the technical reasons for ticking "X" in the table above according to their actual situation herein.  
企业可在此处, 根据实际情况对上表中打"X"的技术原因进行进一步说明。

\*Exemptions according to EU RoHS 2011/65 Annex III and IV might be applied  
\*欧盟 RoHS 2011/65 附件 III and IV 的豁免可能适用

■ Restricted substances beyond limit required by GB/T 26572-2011.

限制物质的含量超过 GB/T26572-2011 规定限制



EFUP (Environment Friendly Use Period) 环保使用期限:

*Kensy*  
i.V. 授权 D. Kensy

Rietheim 里泰姆 28.07.2021

Place and date of issue 签发地点和日期

Director R&D 研发总监

## Marking of Hazardous Substances

### 有害物质标识

WERMA Signaltechnik GmbH + Co. KG  
Dürbheimer Straße 15  
78604 Rietheim-Weilheim / Germany

WERMA article number 伟马快德物料号:

240 130 50, 240 140 50, 240 230 55, 240 231 55, 240 240 55, 240 250 55, 240 340 50, 240 440 55

According to the SJ/T 11364-2014 Standard of the People's Republic of China for the Electronic Industry

本表格依据中华人民共和国 SJ/T 11364-2014 的规定编制

Component Name 部件名称	Hazardous Substances 有害物质					
	Lead 铅 (Pb)	Mercury 汞 (Hg)	Cadmium 镉 (Cd)	Hexavalent Chromium 六价铬 (Cr (VI))	Polybrominated biphenyls 多溴联苯 (PBB)	Polybrominated diphenyl ethers 多溴二苯醚 (PBDE)
Plastic parts 塑料件	○	○	○	○	○	○
Label 标签	○	○	○	○	○	○
PCB and its electr. comp. 印制电路板及其电子元器件	X*	○	○	○	○	○
Buzzer 蜂鸣器	X*	○	○	○	○	○
M12 plug and cable M12 插头和电缆	○	○	○	○	○	○
Cable tie 扎带	○	○	○	○	○	○

This table was developed according to the provisions of SJ/T 11364-2014  
本表格依据 SJ / T 11364-2014 的规定编制

O: The content of such hazardous substance in all homogeneous materials of such component is **below** the limit required by GB/T 26572-2011.  
表示该有害物质在该部件所有均质材料中的含量均在 GB/T 26572-2011 规定的限量要求以下。

X: The content of such hazardous substance in all homogeneous materials of such component is **beyond** the limit required by GB/T 26572-2011.  
表示该有害物质至少在该部件的某一均质材料中的含量超出 GB/T 26572-2011 规定的限量要求。

Enterprises may further explain the technical reasons for ticking "X" in the table above according to their actual situation herein.  
企业可在此处, 根据实际情况对上表中打"X"的技术原因进行进一步说明。

\*Exemptions according to EU RoHS 2011/65 Annex III and IV might be applied  
\*欧盟 RoHS 2011/65 附件 III and IV 的豁免可能适用

■ Restricted substances beyond limit required by GB/T 26572-2011.

限制物质的含量超过 GB/T26572-2011 规定限制



EFUP (Environment Friendly Use Period) 环保使用期限:

*Kensy*  
i.V. 授权 D. Kensy

Rietheim 里泰姆 15.09.2021

Place and date of issue 签发地点和日期

Director R&D 研发总监