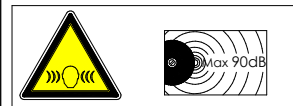
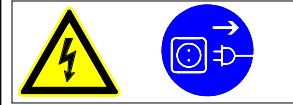
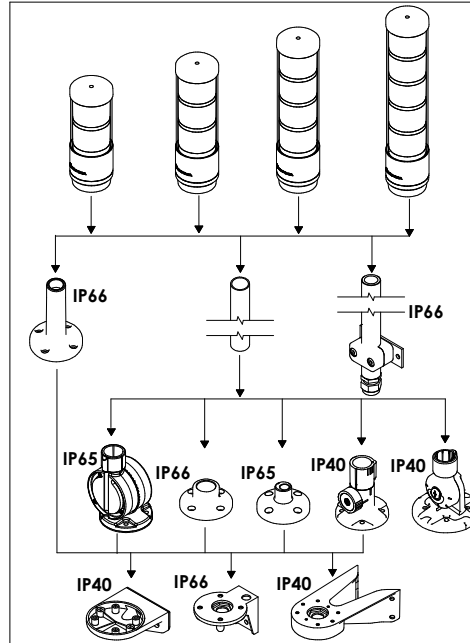


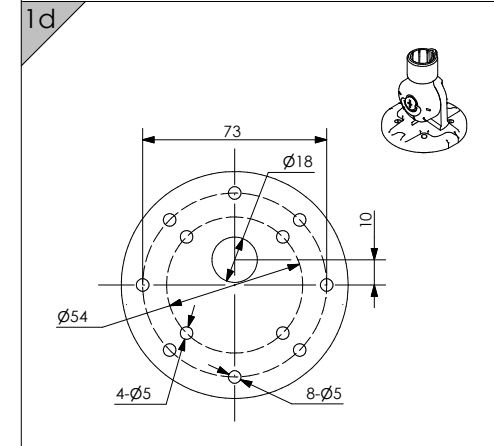
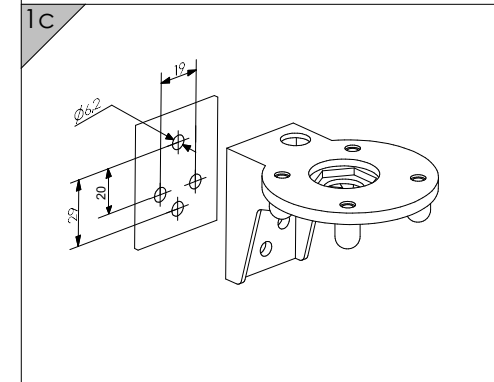
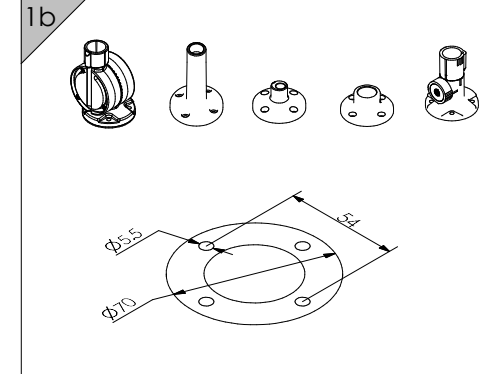
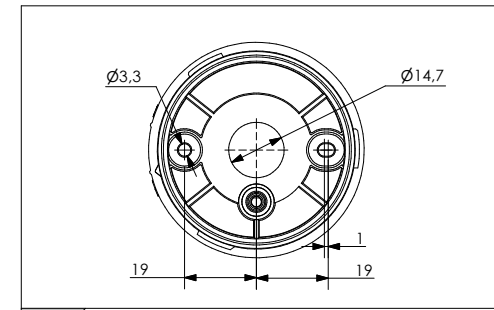
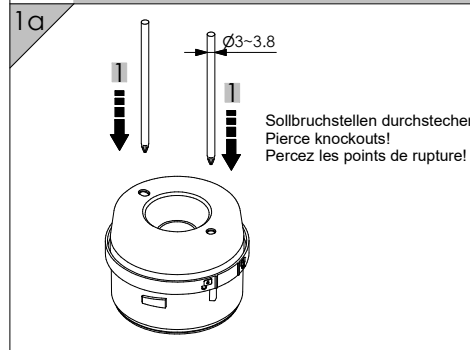
- (D) Anschluss ausschließlich durch ausgebildete Elektro-Fachkräfte.
- (GB) Electrical connection is to be made by trained electrical specialists only.
- (F) Le branchement doit uniquement être effectué par des professionnels.
- (I) Il collegamento deve essere eseguito solo da elettricisti specializzati.
- (E) La conexión sólo debe ser realizada por electricistas debidamente formados.
- (PT) A ligação deve ser feita exclusivamente por profissional elétrico especializado.
- (NL) De aansluiting mag enkel gebeuren door erkende vakmensen.
- (CZ) Připojení smí provádět pouze kvalifikovaný personál.
- (PL) Podłączenie wyłącznie przez specjalistów-elektryków.
- (FI) Liittäminen kuuluu ainoastaan koulutettujen sähköalan ammattilaisten tehtäviin.
- (RU) Подключение проводов только специалистом-электриком.
- (TR) Bağlantı sadece eğitimli elektrik teknisyenleri tarafından yapılmalıdır.
- (CN) 布线需由专业电工执行

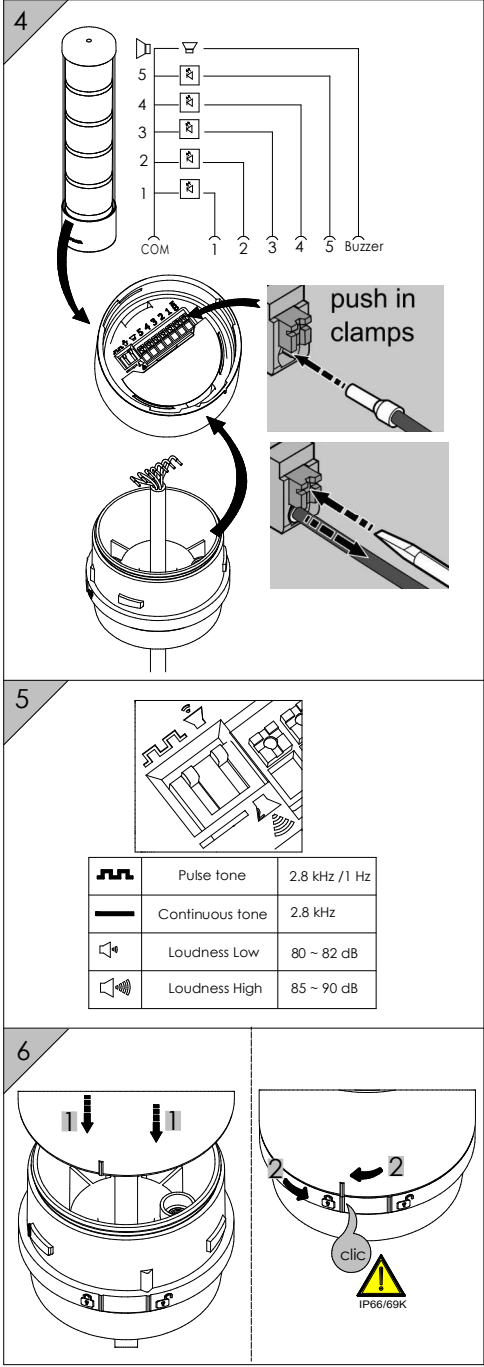
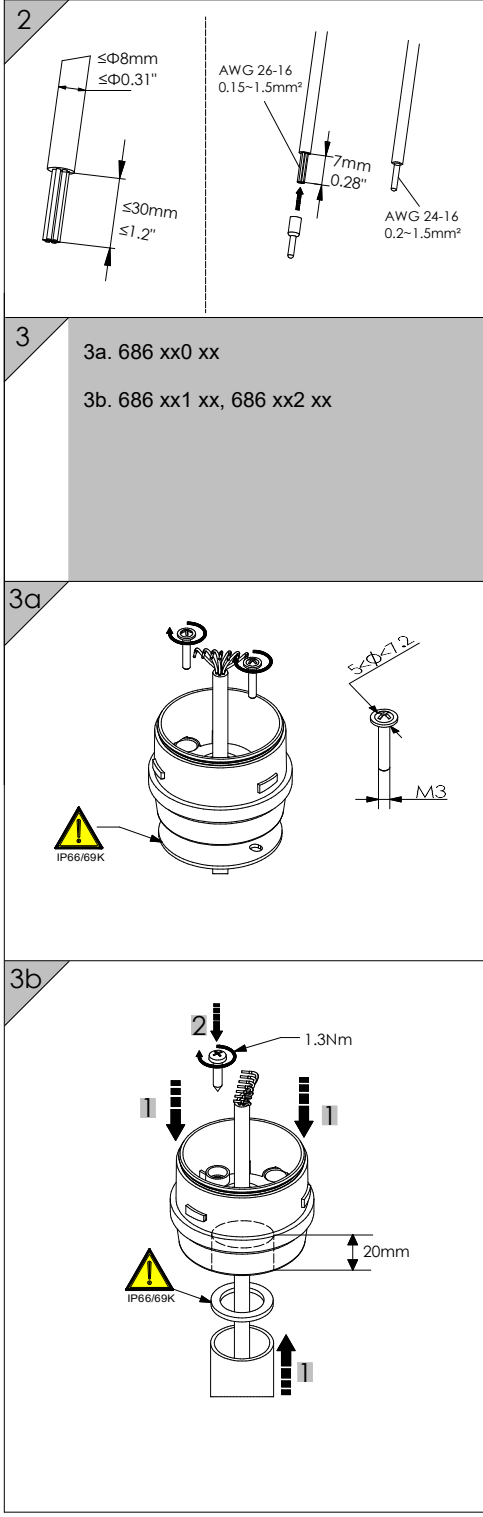


24V=		
	Sound	$I_{max} < 25mA$
	RD	$I_{max} < 25mA$
	GN	$I_{max} < 45mA$
	YE	$I_{max} < 55mA$
	CL	$I_{max} < 45mA$
	BU	$I_{max} < 45mA$



-
- 1 1a- 686 xx0 xx
1b- 975 849 90, 960 000 64, 960 000 30
975 849 91, 975 840 90
975 849 11, 975 840 91
960 009 12, 975 840 10
1c- 960 009 01, 960 000 01
1d- 960 009 17, 960 009 18
960 009 19





15000002574-AF
310.686.001



Marking of Hazardous Substances
有害物质标识

WERMA Signaltechnik GmbH + Co. KG
Dürbheimer Straße 15
78604 Rietheim-Weilheim / Germany

WERMA article number 伟马伟德物科号:
686.260.35, 686.370.35, 686.371.35, 686.480.35, 686.590.35
686.200.35, 686.300.35, 686.301.35, 686.400.35, 686.500.35

According to the SJ/T 11364-2014 Standard of The People's Republic of China for the Electronic Industry
本表格依据中华人民共和国 SJ/T 11364-2014 的规定编制

Component Name 部件名称	Lead 铅(Pb)	Mercury 汞(Hg)	Cadmium 镉(Cd)	Hazardous Substances 有害物质
Plastic parts 塑料件	○	○	○	Polybrominated biphenyls 多溴联苯(PBB)
Label 标签	○	○	○	Polybrominated diphenyl ethers 多溴二苯醚(PBDE)
PCB and its electronics 印刷电路板及其电子元器件	X	○	○	
Buzzer 蜂鸣器	X	○	○	
Contact spring 接触薄片	○	○	○	

This table was developed according to the provisions of SJ/T 11364-2014
本表格依据 SJ/T 11364-2014 的规定编制

O: The content of such hazardous substance in all homogeneous materials of such component is **below** the limit required by GB/T 26572-2011.
表示该有害物质在该部件所有均质材料中的含量均在 GB/T 26572-2011 规定的限量要求以下。

X: The content of such hazardous substance in all homogeneous materials of such component is **beyond** the limit required by GB/T 26572-2011.
表示该有害物质在该部件的某一均质材料中的含量超出 GB/T 26572-2011 规定的限量要求。

Enterprises may further explain the technical reasons for flicking "x" in the table above according to their actual situation herein.
企业可在此处，根据实际情况对上表中打“X”的技术原因进行进一步说明。

*Exemptions according to EU RoHS 2011/65 Annex III and IV might be applied
*欧盟 RoHS 2011/65 附件 III 和 IV 的豁免可能适用

■ Restricted substances beyond limit required by GB/T 26572-2011.
■ 限制物质的含量超过 GB/T 26572-2011 限定限制

限制物质的含量超过 GB/T 26572-2011 限定限制

EFUP (Environment Friendly Use Period) 环保使用期限:



Rietheim 里察姆 05.07.2023
Place and date of issue 签发地和日期



Marking of Hazardous Substances
有害物质标识

WERMA Signaltechnik GmbH + Co. KG
Dürbheimer Straße 15
78604 Rietheim-Weilheim / Germany

WERMA article number 伟马伟德物科号:
686.260.05, 686.370.05, 686.371.05, 686.480.05, 686.590.05
686.200.05, 686.300.05, 686.301.05, 686.400.05, 686.500.05

According to the SJ/T 11364-2014 Standard of The People's Republic of China for the Electronic Industry
本表格依据中华人民共和国 SJ/T 11364-2014 的规定编制

Component Name 部件名称	Lead 铅(Pb)	Mercury 汞(Hg)	Cadmium 镉(Cd)	Hazardous Substances 有害物质
Plastic parts 塑料件	○	○	○	Polybrominated biphenyls 多溴联苯(PBB)
Label 标签	○	○	○	Polybrominated diphenyl ethers 多溴二苯醚(PBDE)
PCB and its electronics 印刷电路板及其电子元器件	X	○	○	
Buzzer 蜂鸣器	○	○	○	
Contact spring 接触薄片	○	○	○	

This table was developed according to the provisions of SJ/T 11364-2014
本表格依据 SJ/T 11364-2014 的规定编制

O: The content of such hazardous substance in all homogeneous materials of such component is **below** the limit required by GB/T 26572-2011.
表示该有害物质在该部件所有均质材料中的含量均在 GB/T 26572-2011 规定的限量要求以下。

X: The content of such hazardous substance in all homogeneous materials of such component is **beyond** the limit required by GB/T 26572-2011.
表示该有害物质在该部件的某一均质材料中的含量超出 GB/T 26572-2011 规定的限量要求。

Enterprises may further explain the technical reasons for flicking "x" in the table above according to their actual situation herein.
企业可在此处，根据实际情况对上表中打“X”的技术原因进行进一步说明。

*Exemptions according to EU RoHS 2011/65 Annex III and IV might be applied
*欧盟 RoHS 2011/65 附件 III 和 IV 的豁免可能适用

■ Restricted substances beyond limit required by GB/T 26572-2011.
■ 限制物质的含量超过 GB/T 26572-2011 限定限制

限制物质的含量超过 GB/T 26572-2011 限定限制

EFUP (Environment Friendly Use Period) 环保使用期限:



Rietheim 里察姆 05.07.2023
Place and date of issue 签发地和日期